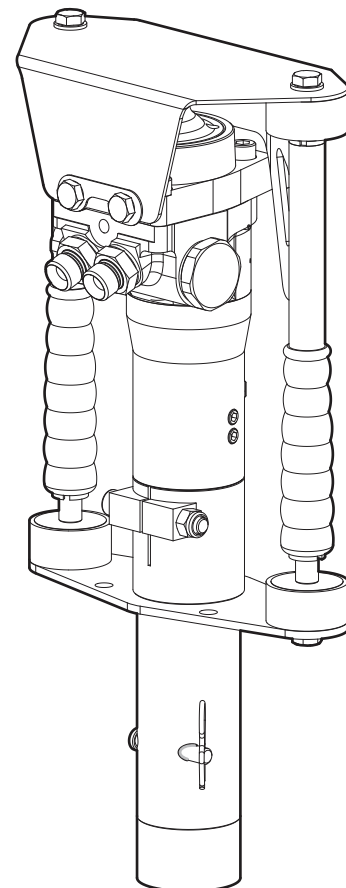


## Spare parts list

### Hydraulic post drivers





# Contents

General information.....	5
Spare parts list.....	6
Impact assembly.....	6
Striking mechanism complete.....	8
Tightening torque.....	10
Accessories.....	11
Hoses and couplings .....	11
Kits.....	12
Label kit .....	12
Seal kit.....	12
Trigger valve kit.....	13
Accumulator kit.....	14
Adaptor kit .....	15



## General information

This spare parts list applies to the following:

Part number	Description
1801 3940 06	Hydraulic post drivers

Use only authorized parts. Any damage or malfunction caused by the use of unauthorized parts is not covered by Warranty or Product Liability. Any unauthorized use or copying of the contents or any part thereof is prohibited. This applies in particular to trademarks, model denominations, part numbers, and drawings.

### Instructions for use

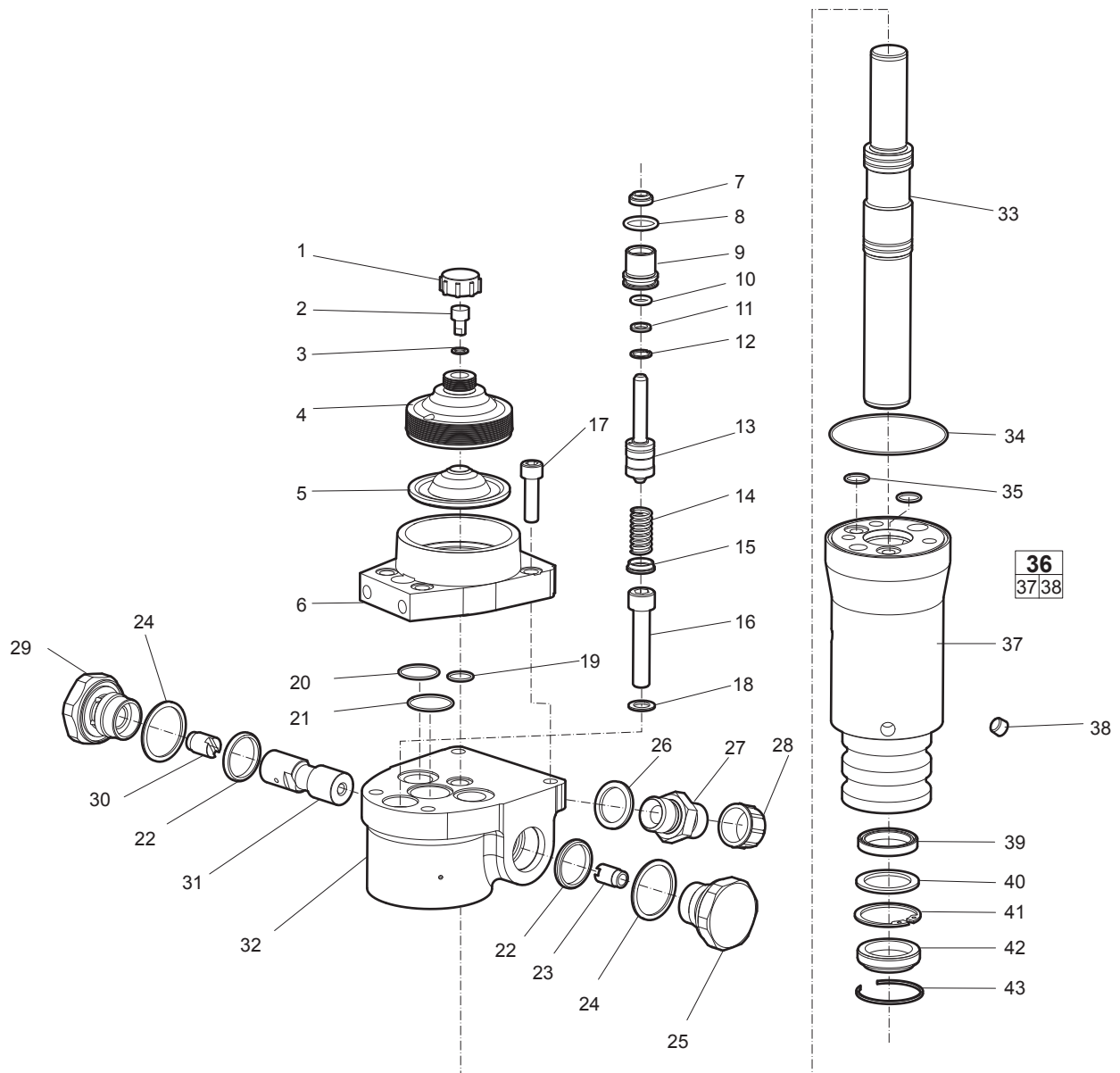
This spare parts list contains no safety regulations and is merely intended to assist in the ordering of spare parts.

For information about operating, servicing, or repairing, the relevant Safety and operating instructions must be consulted at all costs.

Please observe the safety instructions listed in the relevant Safety and operating instructions!

# Spare parts list

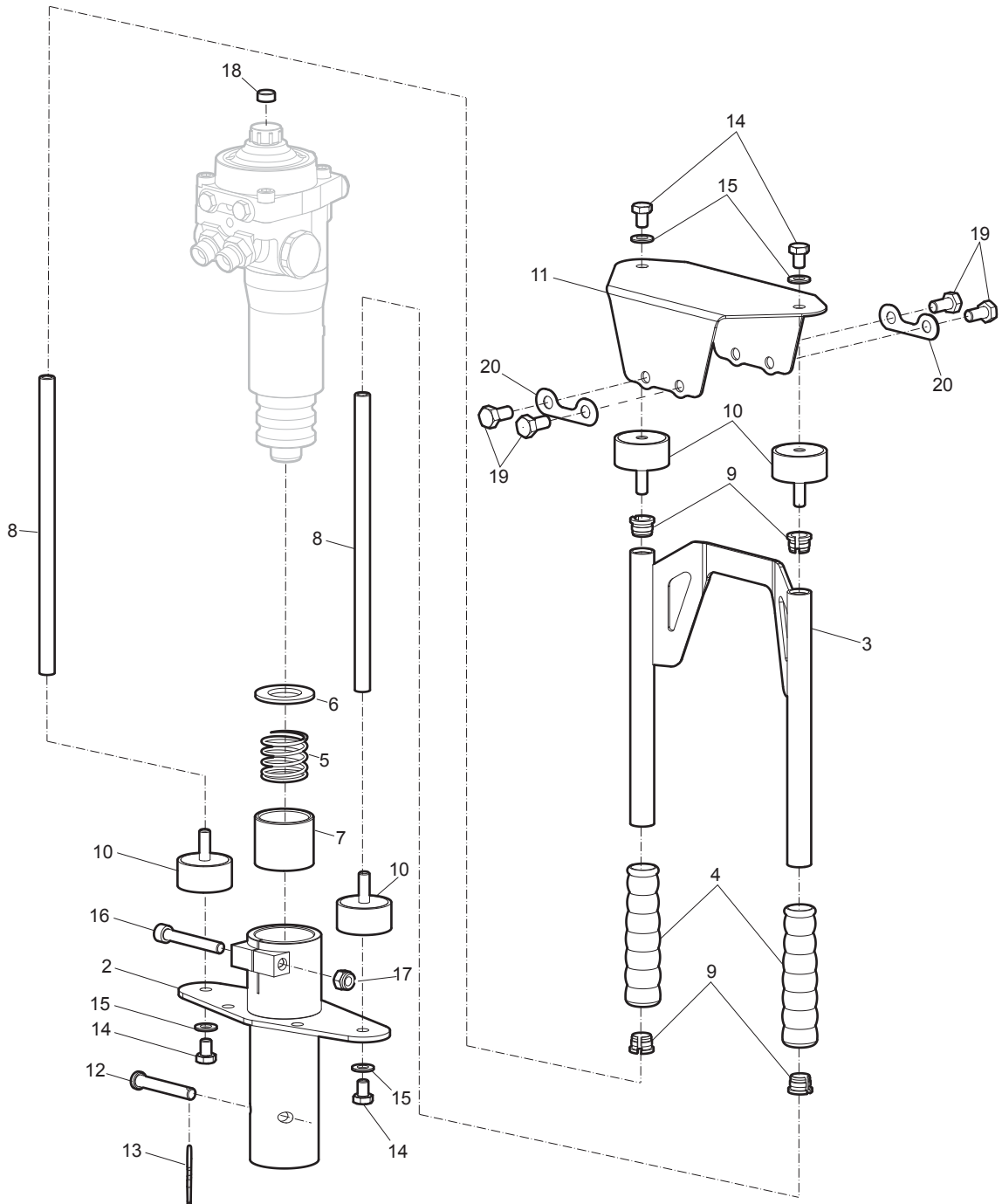
## Impact assembly



No.	Description	Remark	Quantity	Part number
1	Protective nut	M24x1.5	1	3376 1170 71
2	Charging screw		1	3371 8131 03
3	Seal ring	ø8,7/13x1	1	3371 8147 09
4	Accumulator cover		1	3371 8140 66
5	Diaphragm		1	3371 8140 52
6	Accumulator body		1	3371 8140 67
7	Seal		1	3371 8055 03
8	O-ring		1	3371 8147 02
9	Packing gland		1	3371 8141 20
10	O-ring		1	3371 8147 00
11	Back-up ring		1	3371 8147 01
12	Circlip		1	3371 8147 12
13	Trigger spool with rod		1	3371 8200 71
14	Spring		1	3371 8141 63
15	Washer		1	3371 8147 52
16	Screw M10x50	M10x50 mm	3	3371 8157 20
17	Screw M10x35	M10x35 mm	4	3371 8147 23
18	Back-up washer		3	3371 8157 35
19	O-ring		1	3371 8147 49
20	O-ring		2	3371 8207 06
21	O-ring		1	3371 8147 48
22	O-ring		2	3371 8147 03
23	Auxiliary spool P		1	3371 8141 13
24	O-ring		2	3371 8147 10
25	Guide socket P		1	3371 8141 14
26	Seal ring	1/2 in. BSP	2	3371 8057 14
27	Nipple	1/2 in. BSP	2	3371 8057 11
28	Protective cap	1/2 in. BSP	2	3371 8137 09
29	Guide socket T		1	3371 8141 16
30	Auxiliary spool T		1	3371 8141 15
31	Spool		1	3371 8141 12
32	Valve housing Plugged		1	3371 8140 63
33	Piston		1	3371 8141 25
34	O-ring		1	3371 8147 51
35	O-ring		2	3371 8147 50
<b>36(37-38)</b>	<b>Cylinder, complete</b>		1	3371 8140 64
37	Cylinder		1	-
38	Fitting		4	3371 8147 33
39	Seal		1	3371 8141 72
40	Back-up washer		1	3371 8141 69
41	Circlip		1	3371 8147 54
42	Wiper		1	3371 8147 07
43	Locking ring		1	3371 8157 38

# Striking mechanism complete

<b>1</b>																			
2	3	4	5	6	7	8	9	10	11	12	13	14	15	16	17	18	19	20	





No.	Description	Remark	Quantity	Part number
1(2-20)	<b>Striking mechanism, complete</b>		1	1801 1747 13
2	Front body		1	3371 8212 66
3	Trigger handle		1	3371 8212 70
4	Grip handle		2	3371 8212 84
5	Spring		1	3371 8211 35
6	Washer		1	3371 8212 77
7	Anvil		1	3371 8212 79
8	Guide bar		2	3371 8212 74
9	Guide bushing		4	3371 8212 76
10	Shock absorber		4	3371 8212 78
11	Cover		1	3371 8212 73
12	Lock pin		1	0113 4615 36
13	Spring cotter		1	4700 0024 10
14	Screw	M10 x 14 mm	4	3377 0004 06
15	Washer		4	3377 1000 10
16	Screw	M10 x 70 mm	1	3377 0004 36
17	Nut	M10	1	3371 8067 02
18	Start knob		1	3371 8212 83
19	Screw	M10 x 20 mm	4	3371 8157 22
20	Nab		2	3371 8151 31

## Tightening torque

Description	Tightening torque (Nm)	Remark	Part number
Guide socket T	100 See section "Impact assembly", item 29.	LOCTITE® 245™	3371 8141 16
Screw	70 See section "Impact assembly", item 17.	LOCTITE® 245™	3371 8147 23
Nipple	30 See section "Impact assembly", item 27.	-	3371 8057 11
Guide socket P	100 See section "Impact assembly", item 25.	LOCTITE® 245™	3371 8141 14
Screw	80 See section "Impact assembly", item 16.	LOCTITE® 245™	3371 8157 20
Screw	80 See section "Striking mechanism complete", item 19.	LOCTITE® 245™	3371 8157 22

LOCTITE is a registered trademark of Henkel Corporation. 245 is a trademark of Henkel Corporation.

# Accessories

## Hoses and couplings

Description	Remark	Quantity	Part number
<b>Connection hose, complete</b>	Ø ¾ in. L = 63 in. Ø 9.5 mm L = 1.6 m	1	3371 8011 89
Hose	Ø ¾ in. L = 63 in. Ø 9.5 mm L = 1.6 m	2	3371 8030 75
Seal ring	Bonded seal ½ in. BSP	2	3371 8057 14
Quick-release coupling	Female ½ in. BSP	1	3371 8051 33
Quick-release coupling	Male ½ in. BSP	1	3371 8051 34
Protective cap	Female	1	3371 8057 33
Protective cap	Male	1	3371 8057 32
<b>Twin hose, complete</b>	Ø ½ in. L = 23 ft. Ø 12.5 mm L = 7 m	1	3371 8010 87
Seal ring	Bonded seal ½ in. BSP	4	3371 8057 14
Quick-release coupling	Female ½ in. BSP	2	3371 8051 33
Quick-release coupling	Male ½ in. BSP	2	3371 8051 34
Protective cap	Female	2	3371 8057 33
Protective cap	Male	2	3371 8057 32
Twin hose	Ø ½ in. L = 23 ft. Ø 12.5 mm L = 7 m	1	3371 8030 52

# Kits

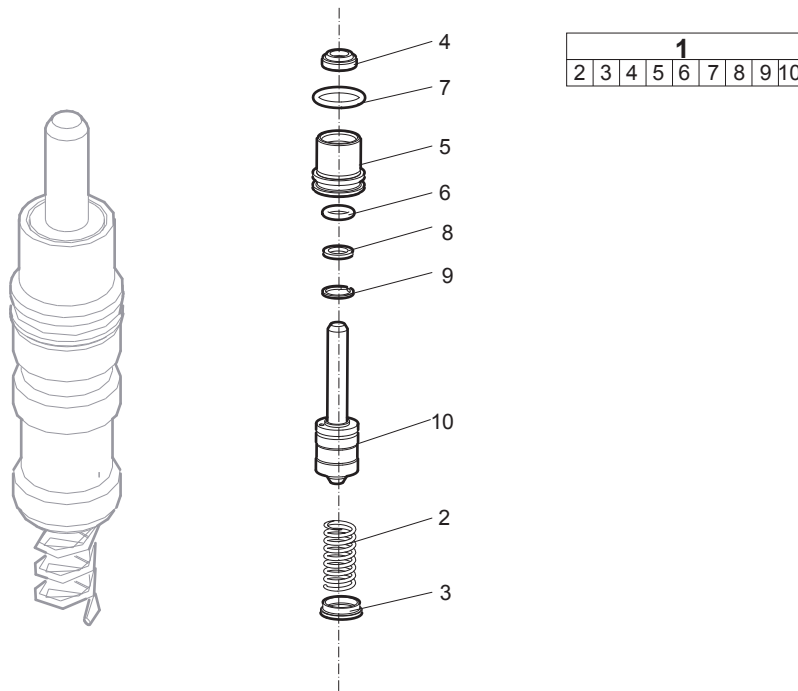
## Label kit

Description	Remark	Quantity	Part number
Label kit		1	3371 8140 73
EHTMA Category	C	1	3371 8960 47
Safety label		1	3371 8960 61
Nitrogen label		1	3371 8960 62
Product label	"Atlas Copco"	2	3371 8960 97
Product label	"LPD LD"	1	3371 8973 03

## Seal kit

Description	Remark	Quantity	Part number
Seal kit		1	3371 8140 57
Seal	Ø 0.31 x 0.55 x 0.14 x 0.20 in. Ø 8 x 14 x 3.5 x 5 mm	1	3371 8055 03
O-ring	Ø 0.33 x 0.09 in. Ø 8.3 x 2.4 mm	1	3371 8147 00
O-ring	Ø 0.64 x 0.09 in. Ø 16.3 x 2.4 mm	1	3371 8147 02
Back-up ring		1	3371 8147 01
Circlip		1	3371 8147 12
Seal ring	½ in. BSP	2	3371 8057 14
O-ring	Ø 0.95 x 0.12 in. Ø 24.2 x 3 mm	2	3371 8147 03
O-ring	Ø 1.30 x 0.08 in. Ø 33 x 2 mm	2	3371 8147 10
Seal ring	Ø 0.34 X 0.51 x 0.04 in. Ø 8.7 X 13 x 1 mm	1	3371 8147 09
Lock ring		1	3371 8157 38
Circlip		1	3371 8147 54
O-ring	Ø 0.98 x 0.06 in. Ø 25 x 1.5 mm	1	3371 8147 48
O-ring	Ø 0.51 x 0.06 in. Ø 13 x 1.5 mm	1	3371 8147 49
O-ring	Ø 0.87 x 0.06 in. Ø 22 x 1.5 mm	2	3371 8207 06
O-ring	Ø 0.47 x 0.06 in. Ø 12 x 1.5 mm	2	3371 8147 50
O-ring	Ø 2.72 x 0.06 in. Ø 69 x 1.5 mm	1	3371 8147 51

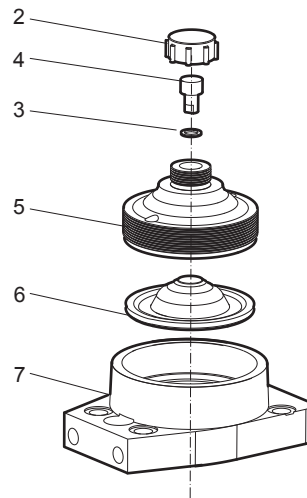
# Trigger valve kit



No.	Description	Remark	Quantity	Part number
1(2-10)	Trigger valve kit		1	3371 8140 58
2	Spring		1	3371 8141 63
3	Washer		1	3371 8147 52
4	Seal		1	3371 8055 03
5	Packing gland		1	3371 8141 20
6	O-ring		1	3371 8147 00
7	O-ring		1	3371 8147 02
8	Back-up ring		1	3371 8147 01
9	Circlip		1	3371 8147 12
10	Trigger spool with rod		1	3371 8200 71

## Accumulator kit

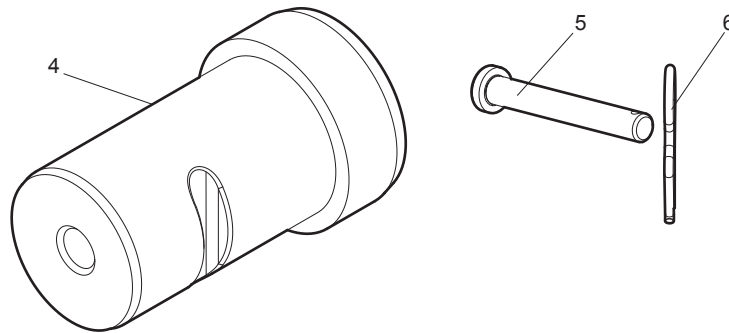
			<b>1</b>			
2	3	4	5	6	7	



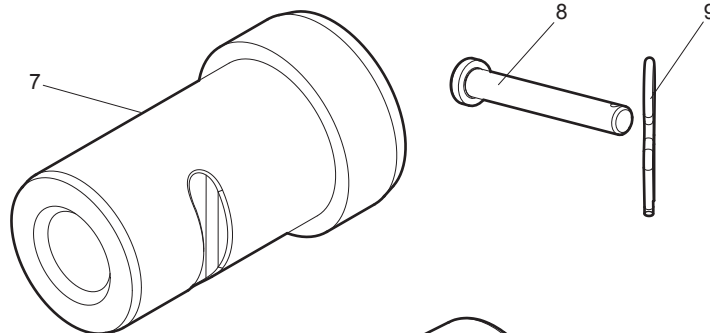
No.	Description	Remark	Quantity	Part number
1(2-7)	Accumulator kit		1	3371 8140 68
2	Protective cap		1	3376 1170 71
3	Seal ring	Ø 0.34 x 0.51 x 0.04 in. Ø 8.7 x 13 x 1 mm	1	3371 8147 09
4	Charging screw		1	3371 8131 03
5	Accumulator cover		1	3371 8140 66
6	Diaphragm		1	3371 8140 52
7	Accumulator body		1	3371 8140 67

# Adaptor kit

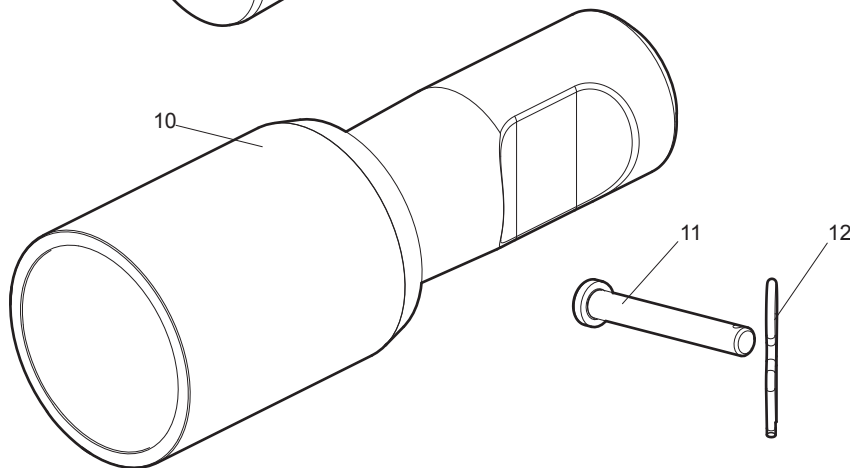
<b>1</b>
4   5   6



<b>2</b>
7   8   9



<b>3</b>
10   11   12



No.	Description	Remark	Quantity	Part number
<b>1(4-6)</b>	<b>Adaptor kit</b>		1	3371 8060 56
4	Adaptor	16.5 mm 5/8 in.	1	3371 8212 80
5	Pin	10 x 90 mm	1	0113 4615 36
6	spring cotter		1	4700 0024 10
<b>2(7-9)</b>	<b>Adaptor kit</b>		1	3371 8060 57
7	Adaptor	26 mm 1 in.	1	3371 8212 81
8	Pin	10 x 90 mm	1	0113 4615 36
9	spring cotter		1	4700 0024 10
<b>3(10-12)</b>	<b>Adaptor kit</b>		1	3371 8060 58
10	Adaptor	65 mm 2.5 in.	1	3371 8060 59
11	Pin	10 x 90 mm	1	0113 4615 36
12	spring cotter		1	4700 0024 10













Any unauthorized use or copying of the contents or any part thereof is prohibited.  
This applies in particular to trademarks, model denominations, part numbers, and  
drawings.

© 2013 Atlas Copco Construction Tools AB | No. 3392 5244 01a | 2013-10-16